



Innovators in Bio-Photonics

BROAD SPECTRUM IMAGING



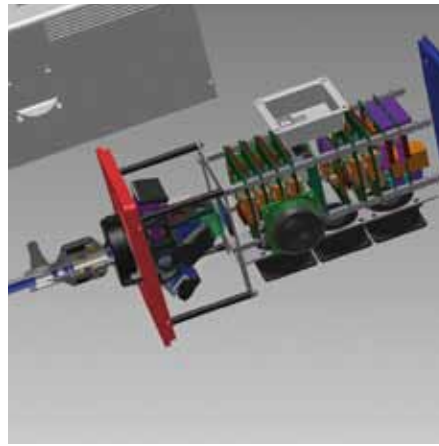
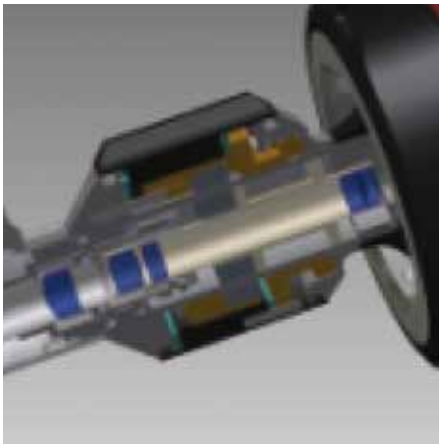
# Cancer made **visible**



[www.o2view.com](http://www.o2view.com)  
[info@o2view.com](mailto:info@o2view.com)



Innovators in Bio-Photonics



## O<sub>2</sub>view ArteMIS Apochromatic Endoscope Specifications

|                                   |  |
|-----------------------------------|--|
| <b>CCD Format</b>                 | 2/3" CCD with dichroic prism, 5 channels   |
| <b>Pixel number</b>               | 900 Pixels horizontal diameter, round image  |
| <b>Pixel size</b>                 | 6.45 x 6.45 micrometer (Sony ICX285AL)   |
| <b>Focal / Zoom range</b>         | Approximately 7mm  |
| <b>FOV</b>                        | 30°  |
| <b>Max aperture</b>               | F/N = 15   |
| <b>Wavelength</b>                 | 400 - 1000 nm  |
| <b>Resolution</b>                 | MTF >40% @ 40 lp/mm on axis<br>MTF >30% @ 40 lp/mm max FOV   |
| <b>Distortion</b>                 | Less than 0.3%   |
| <b>Vignetting</b>                 | Less than 15%  |
| <b>Max axial length; Diameter</b> | 390 mm (Endoscope tube only); 10mm   |
| <b>Working distance</b>           | 15 mm - 100 mm   |
| <b>Chromatic aberration</b>       | Lateral chromatic aberration <3.7 micrometer<br>Axial chromatic aberration: compensated with prism alignment |
| <b>Configuration</b>              | View at 0° or 30° optical axis   |
| <b>Camera interface</b>           | Compatible with 5 channel prism camera as per ArteMIS  |
| <b>Illumination device</b>        | Light fiber optic input with external light sources (Halogen and laser combined). Excentric projection       |
| <b>Sterilization</b>              | Autoclavable at 134°C (Endoscope only)   |

Technical specifications are subject to change without prior notice

**O<sub>2</sub>view BV**  
Buurt IV 24  
1156 BH Marken  
the Netherlands

internet: [www.o2view.com](http://www.o2view.com)  
email: [info@o2view.com](mailto:info@o2view.com)  
**ArteMIS** vis-NIR technologies are protected  
by international patents

